



Galaxy II

Specifications - Page 1 of 3

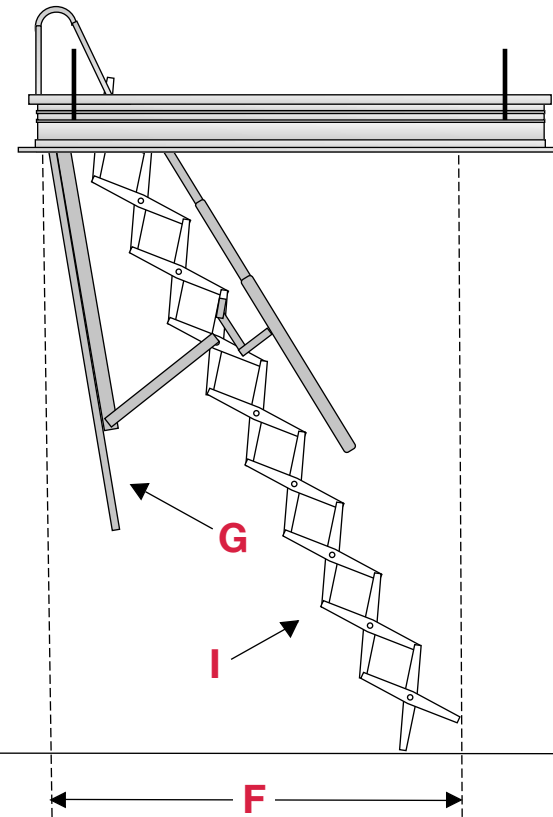
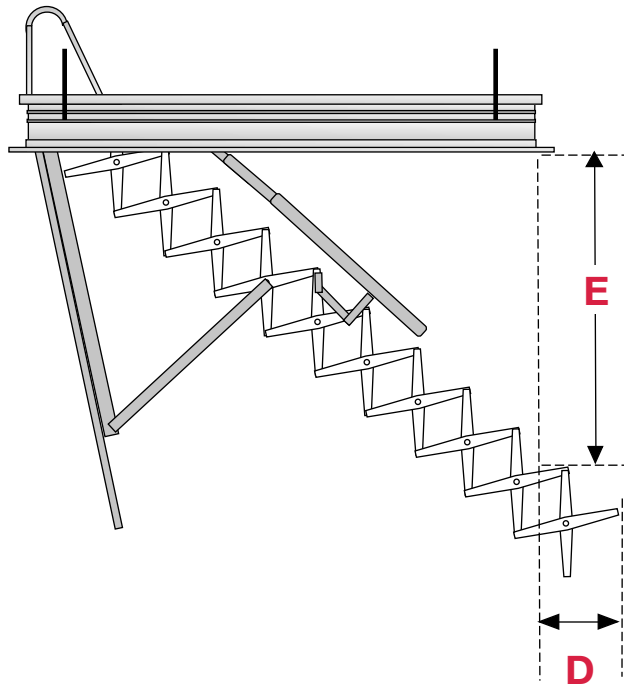
- Height ranges and # of treads required for each range are shown below by model
 - Extra treads for achieving each height range are included with each stair

Model Number	Stair Color	Rough Opening	Stair Frame Dimension	Tread Width	Tread Depth	# of Treads	Unit Weight	Floor-to-Ceiling Height Range	Projection (See Page 2)	Landing Space (See Page 2)
RR2254	White	22 1/2" X 54"	22" X 53 1/2"	10"	4"	9	120 lbs.	7' - 6" to 8' - 4"	0"	42"
						10		Over 8' - 4" to 9' - 2"	0"	43"
						11		Over 9' - 2" to 10'	4"	45"
RR2254-INS	White	22 1/2" X 54"	22" X 53 1/2"	10"	4"	9	135 lbs.	7' - 6" to 8' - 4"	0"	42"
						10		Over 8' - 4" to 9' - 2"	0"	43"
						11		Over 9' - 2" to 10'	4"	45"
RR2554	White	25 1/2" X 54"	25" X 53 1/2"	14"	4"	9	142 lbs.	7' - 6" to 8' - 4"	0'	42"
						10		Over 8' - 4" to 9' - 2"	0"	43"
						11		Over 9' - 2" to 10'	4"	45"
RR2554-INS	White	25 1/2" X 54"	25" X 53 1/2"	14"	4"	9	162 lbs.	7' - 6" to 8' - 4"	0"	42"
						10		Over 8' - 4" to 9' - 2"	0"	43"
						11		Over 9' - 2" to 10'	4"	45"
RR3060	White	30" X 60"	29 1/2" X 59 1/2"	14"	4"	9	138 lbs.	7' - 6" to 8' - 4"	0"	42"
						10		Over 8' - 4" to 9' - 2"	0"	43"
						11		Over 9' - 2" to 10'	4"	45"



Galaxy II

Specifications - Page 2 of 3



D. Projection (see chart - page 1)
E. Height from ceiling at start of projection - 50" (Only with 11 treads installed)

F. Landing space (see chart - page 1)
G. Door angle - 89 degrees
I. Stair angle - 72 degrees



Galaxy II

Specifications - Page 3 of 3

